



## Z42-D160.01 S3Y

### Pneumatic direct change

Item no. **10301187**

HF-Spindle for high-speed milling, -grinding, -drilling, -engraving

#### Bearings

|                           |                  |
|---------------------------|------------------|
| Hybrid ball bearing (pcs) | 2                |
| Lifetime lubricated       | maintenance free |

#### Motor

|  |   |
|--|---|
| Motor technology                         | 3-phase asynchronous drive<br>(no brushes or sensors) |
| Frequency                                | 1.000 Hz  |
| Motor poles (pairs)                      | 1   |
| Rated rotation speed                     | 60.000 rpm  |
| Acceleration/braking value<br>Per second | 10 000 rpm<br>(other values by consultation)          |

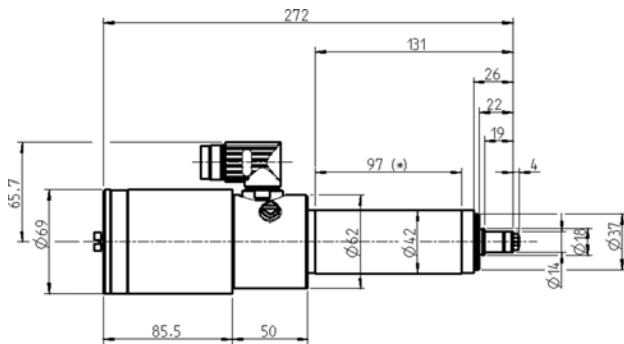
#### Power values

##### Uncooled

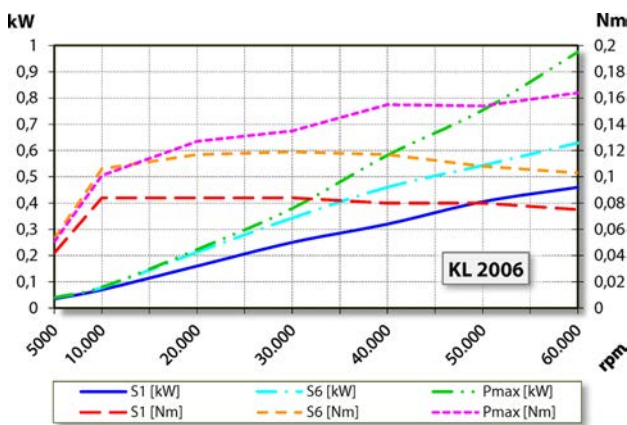
|             | Pmax./5s | S6-60% | S1-100% |      |
|-------------|----------|--------|---------|------|
| Rated power | 0,98     | 0,63   | 0,46    | [kW] |
| Torque      | 0,164    | 0,119  | 0,084   | [Nm] |
| Voltage     | 91       | 100    | 90      | [V]  |
| Current     | 9        | 6,5    | 5       | [A]  |

**Z42-D160.01 S3Y**

Pneumatic direct change  
Item no. **10301187**



Dimensions



Performance Diagram

Uncooled

Measurement of power is funded by in-house testing.

**Characteristics**

|   |  |
|---|--|
| Speed sensor                                | Differential magneto resistor (TTL)<br>Number of signals = 6 |
| Motor protection                            | PTC 160°C  |
| Housing                                     | Aluminium  |
| Housing diameter                            | 42 mm  |
| Cooling                                     | Uncooled   |
| Heat dissipation                            | Via the spindle holder                                       |
| Housing temperature                         | < + 45° C  |
| Ambient temperature                         | + 10°C ... + 45°C  |
| Sealing air                                 |  |
| Protection category (sealing air turned on) | IP54   |
| Tool change                                 | Pneumatic direct change                                      |
| Collet type                                 | 8/5°   |
| Clamping range up to                        | 6 mm (1/4")  |
| Clockwise                                   |  |
| Coupler plug                                | 8-pin metal  |
| Weight                                      | ~ 2,2 kg   |
| Inner taper run out                         | < 1 μ  |