

## KS2-06/80-2

### Pneumatic direct change

Item no. **10302006-02**

HF-Spindle for high-speed milling, -grinding, -drilling, -engraving

### Bearings

Hybrid ball bearing (pcs)	2
Lifetime lubricated	maintenance free

### Motor

Motor technology	3-phase asynchronous drive (no brushes or sensors)
Frequency	1.333 Hz
Motor poles (pairs)	1
Rated rotation speed	80.000 rpm
Acceleration/braking value Per second	10 000 rpm (other values by consultation)

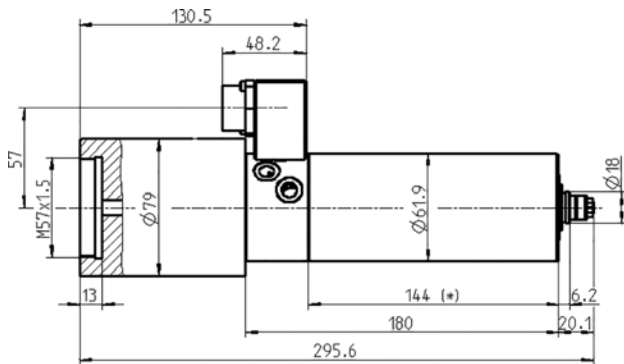
### Power values

#### Liquid cooled

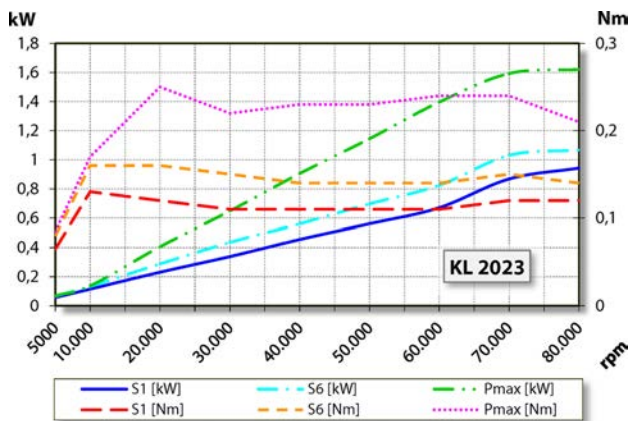
	Pmax./5s	S6-60%	S1-100%	
Rated power	1,6	1,1	0,9	[kW]
Torque	0,25	0,16	0,13	[Nm]
Voltage	208	213	215	[V]
Current	7,9	5	4,5	[A]

**KS2-06/80-2**

Pneumatic direct change  
Item no. **10302006-02**



Dimensions



Performance Diagram

Liquid cooled

Measurement of power is funded by in-house testing.

**Characteristics**

Speed sensor	Differential magneto resistor (TTL) Number of signals = 6
Motor protection	PTC 160°C
Housing	Stainless steel
Housing diameter	61,9 mm
Cooling	Liquid cooled
Ambient temperature	+ 10°C ... + 45°C
Sealing air	
Protection category (sealing air turned on)	IP54
Tool change	Pneumatic direct change
Collet type	8/5°
Clamping range up to	6 mm (1/4")
Clockwise	
Coupler plug	9-pin plastic
Weight	~ 3,7 kg
Inner taper run out	< 1 μ